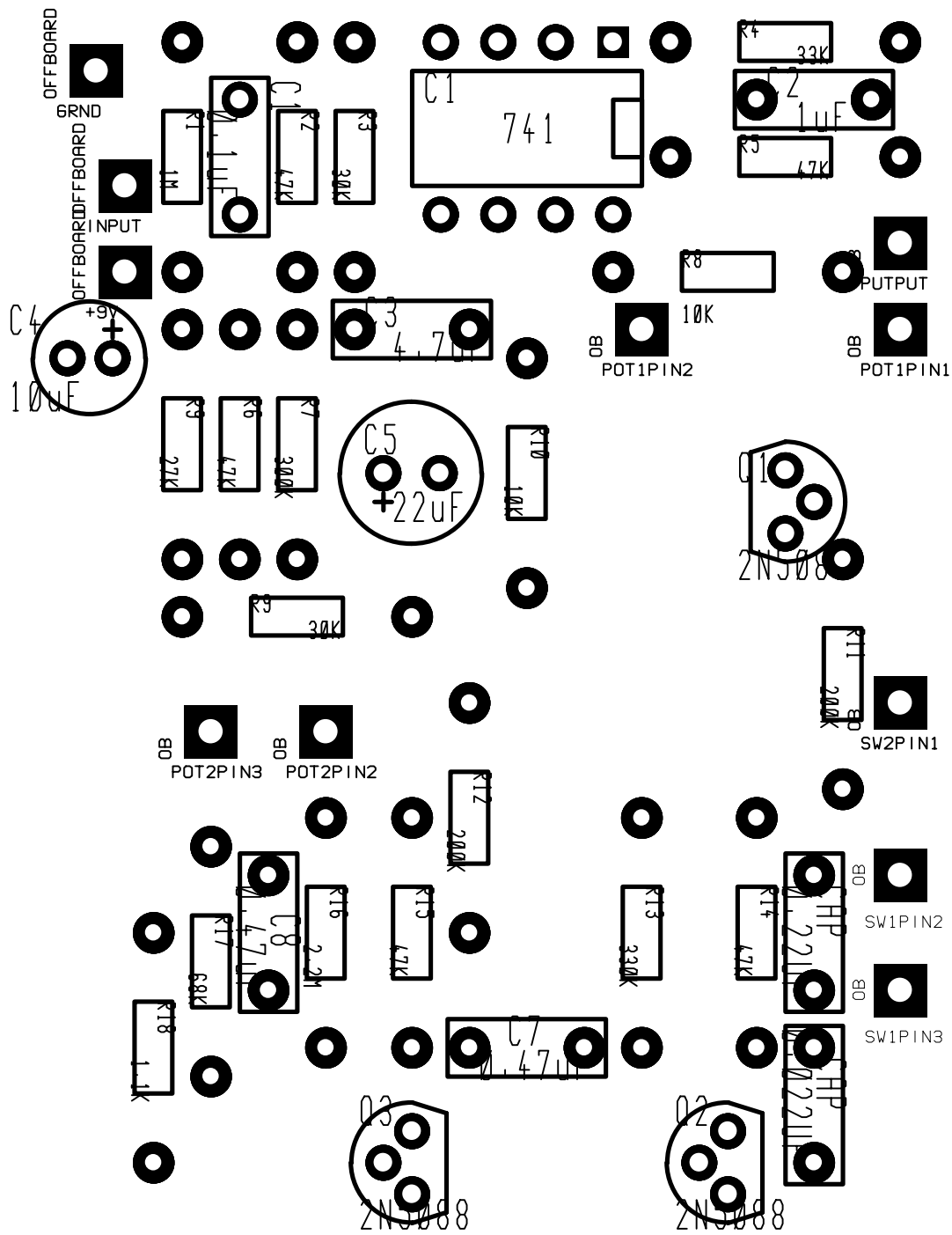


DOWNLOADED FROM STONED TONE

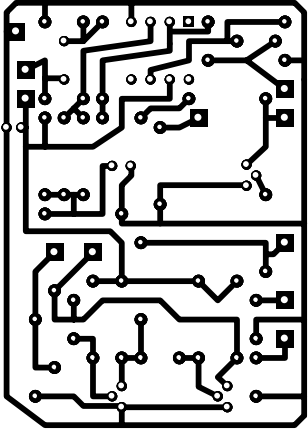
electro-harmonix

27 WEST 23RD STREET NEW YORK, N.Y. 10010 (212) 741-1770

ENGR M. RENOV	DATE 2/5/79
TITLE PULSAR	
PART NO.	SHEET 1 OF 1
	REVISION A



LAYOUT (C) 2000 AMBROSE CHAPEL. ALL RIGHTS RESERVED.



LAYOUT (C) 2000 AMBROSE CHAPEL. ALL RIGHTS RESERVED.